

 **77 43 004 Disassembling/assembling small topcase**

+ 77 43 505

Equipment trim-level variant:
topcase

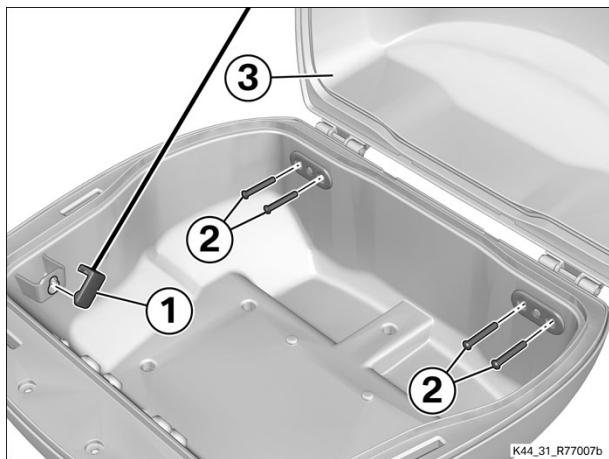
– with topcase^{OA}

Core activity

(-) Disassembling topcase

▶ **Removing topcase lid**

- Disengage retaining strap (1).
- Remove screws (2).
- Remove topcase lid (3).



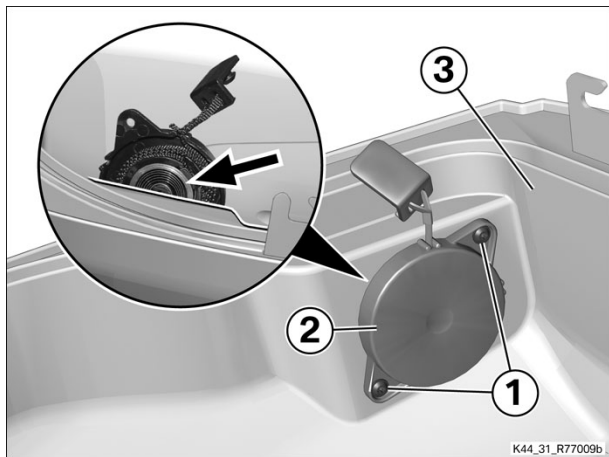
▶ **Removing retaining strap**



Warning

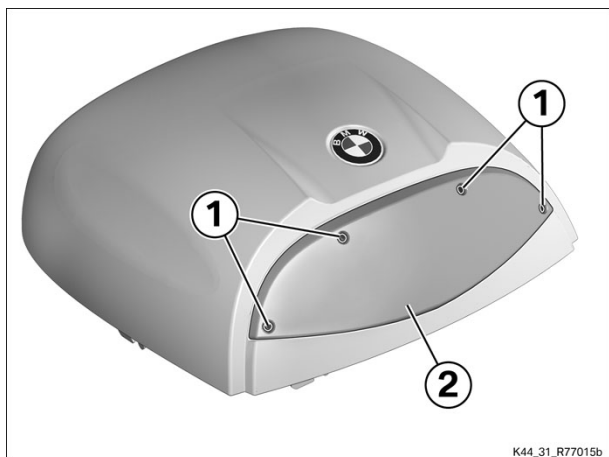
Components are spring-loaded. Risk of injury caused by flying parts. Proceed with care when decreasing or increasing spring tension.

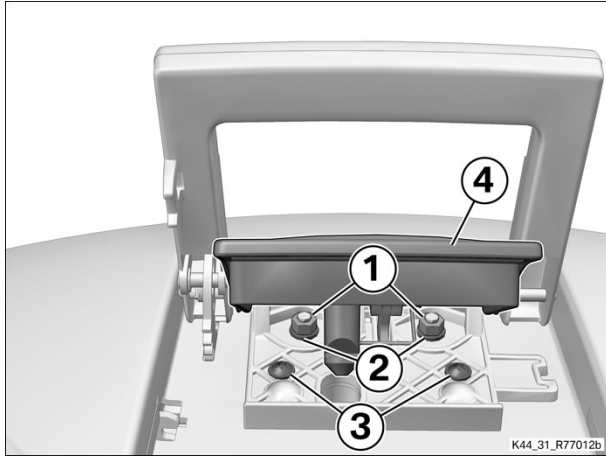
- Remove screws (1).
- Hold retaining strap (2) lightly against inner shell of topcase lid (3), guide it up and **carefully** remove it.



▶ **Removing cover panel of topcase lid**

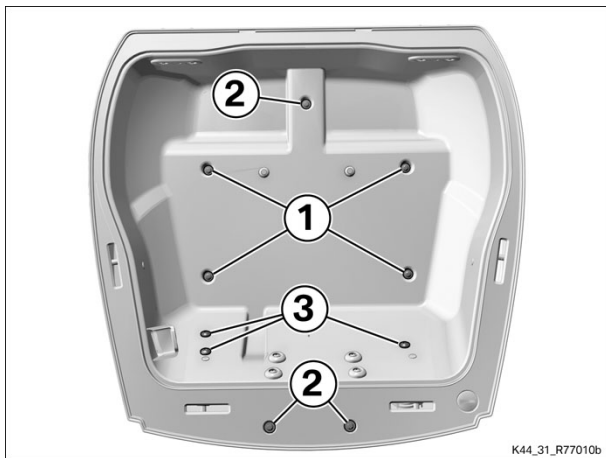
- Remove screws (1).
- Remove cover (2).





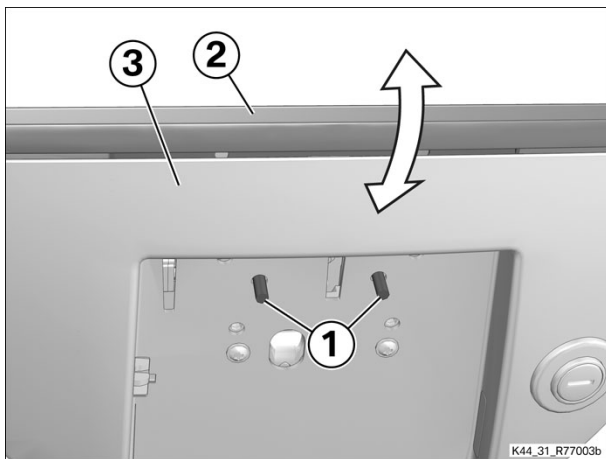
► **Removing carry handle**

- Remove the following components:
 - Nuts (1)
 - Washers (2)
 - Screws (3)
 - Carry handle (4)



► **Detaching inner shell**

- Remove the following components:
 - Screws (1) with washers K50 x 12
 - Screws (2) K50 x 12
 - Screws (3) with plastic washers K50 x 12



► **Removing inner shell of topcase base**

- Push back threaded pins (1).
- Reach between inner shell (2) and topcase base (3) and **firmly** pull the two components apart (arrow), working threaded pins (1) clear at the same time.

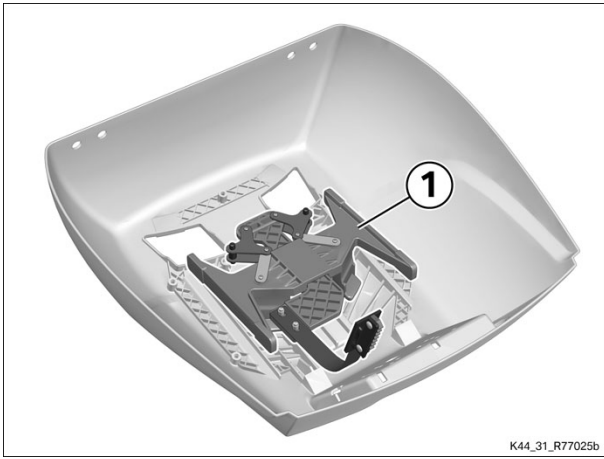


Note

The latching mechanism comes free when the inner shell is detached.

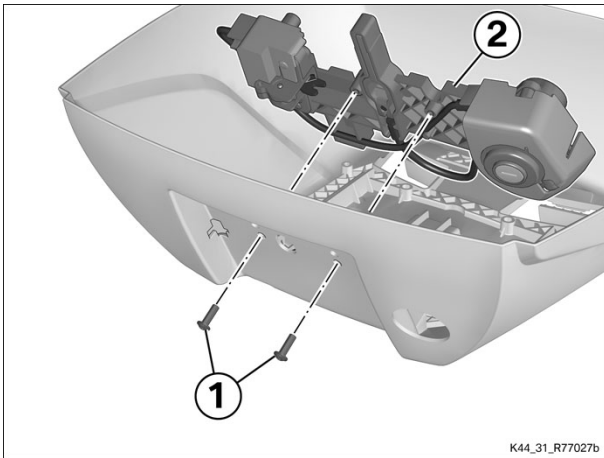
► **Removing latching mechanism**

- Remove latching mechanism (1).



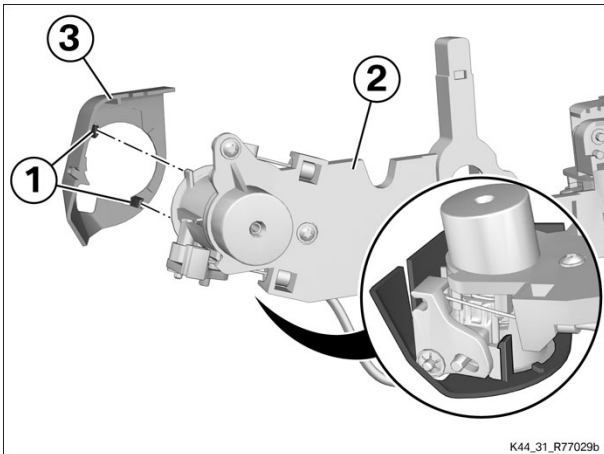
► **Removing lock strip**

- Remove screws (1).
- Remove lock strip (2).



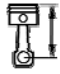
► **Removing cap for lock**

- Disengage holders (1) from lock strip (2) and remove cap for lock (3).

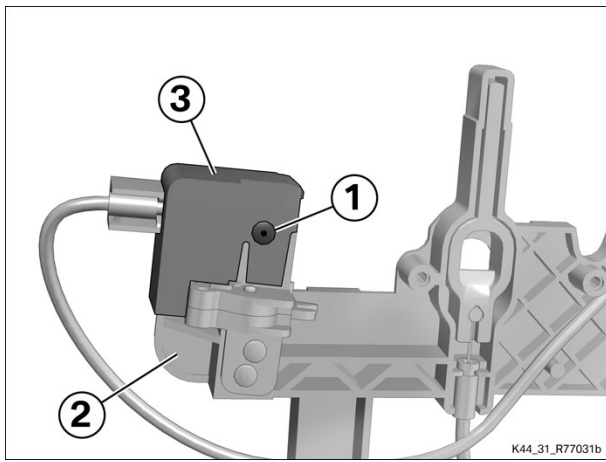


► **Removing cap for latch**

- Drill out rivet (1), while holding lock strip (2) in place.

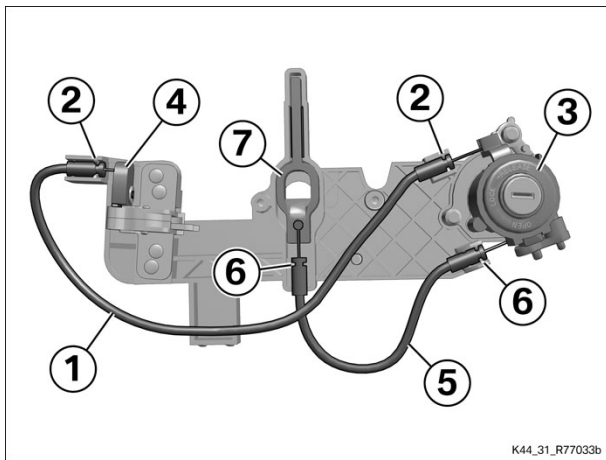
 Technical data			
Diameter of drill bit		4 mm	

- Remove cap for latch (3).



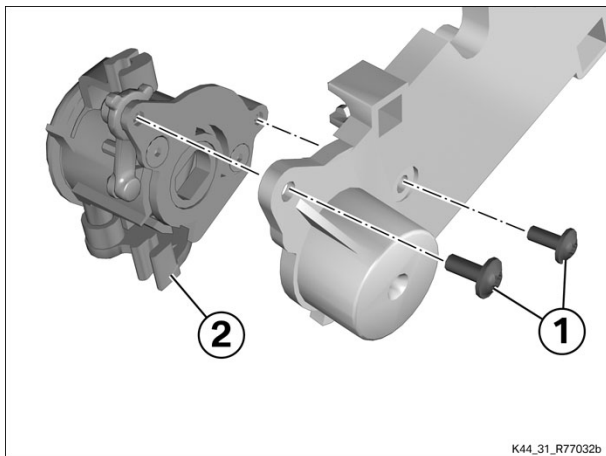
► **Removing Bowden cables for lock strip.**

- Unclip Bowden cable (1) from holders (2) and disengage cable from lock (3) and latch (4).
- Unclip Bowden cable (5) from holders (6) and disengage cable from lock (3) and latch (7).



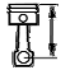
► **Removing lock**

- Remove screws (1).
- Remove lock (2).

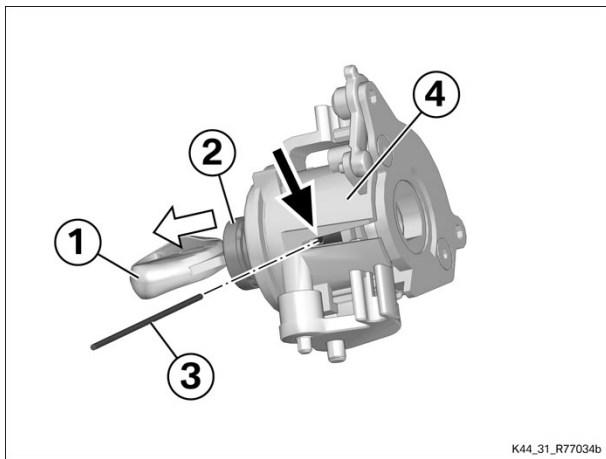


► **Removing lock barrel for topcase**

- Insert key (1) in lock barrel (2) and turn it to the **LOCK** position.
- Insert a suitable tool (3), such as a length of wire or a fine drill bit, into the hole (arrow) in lock strip (4) and push in the retainer on lock barrel (2).

 Technical data			
Tool diameter		1.6 mm	

- Remove lock barrel (2) with key (1).



K44_31_R77034b



(-) Assembling topcase

► Installing lock barrel for topcase

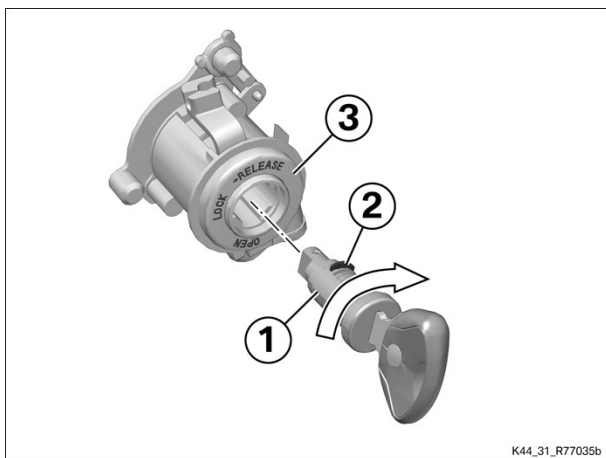
- Lubricate lock barrel (1).



Fluids and lubricants

Grease for lock cylinders	Lubricating grease	81 22 9 407 421
---------------------------	--------------------	--------------------

- Install lock barrel with key (1) as follows:
 - Introduce retainer (2) in the **RELEASE** position.
 - Turn lock barrel (1)(arrow) until it engages in lock (3).

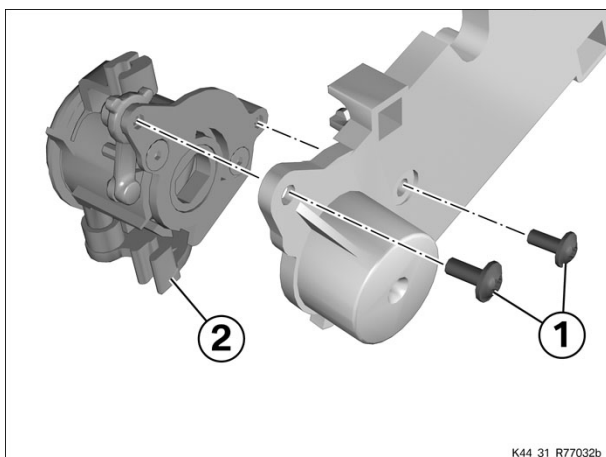


K44_31_R77035b



► Installing lock

- Hold lock (2) in position.
- Install screws (1).

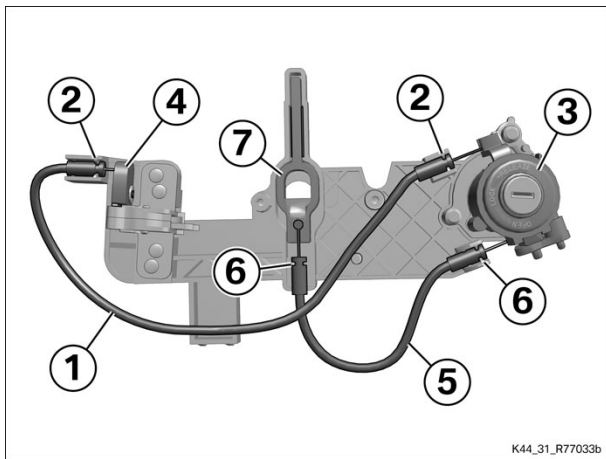


K44_31_R77032b



► Installing Bowden cables for lock strip

- Engage Bowden cable (5) in lock (3) and latch (7) and clip it into holders (6).
- Engage Bowden cable (1) in lock (3) and latch (4) and clip it into holders (2).
- Route Bowden cable (1) correctly.

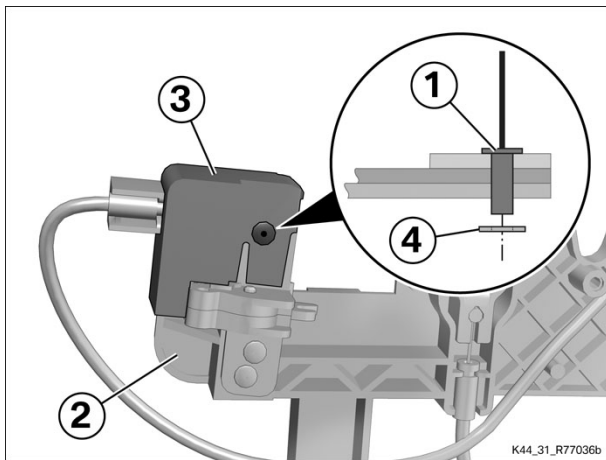


K44_31_R77033b



► **Installing cap for latch**

- Hold cap for latch (3) in position on lock strip (2).
- Insert new rivet (1).
- Slip washer (4) onto rivet (1).
- Secure rivet (1).

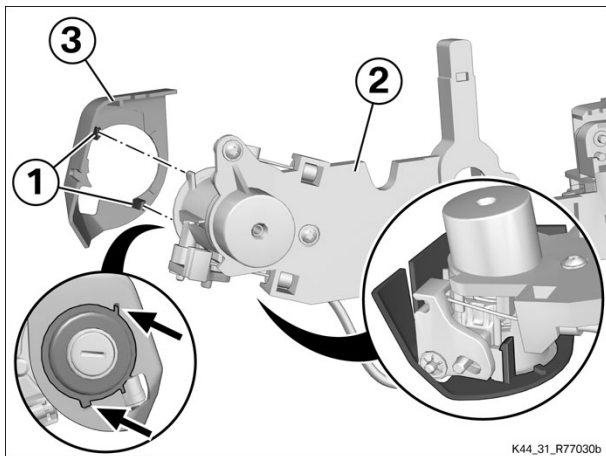


K44_31_R77036b



► **Installing cap for lock**

- Hold cap for lock (3) in position on lock strip (2)(arrows), at the same time engaging holders (1).

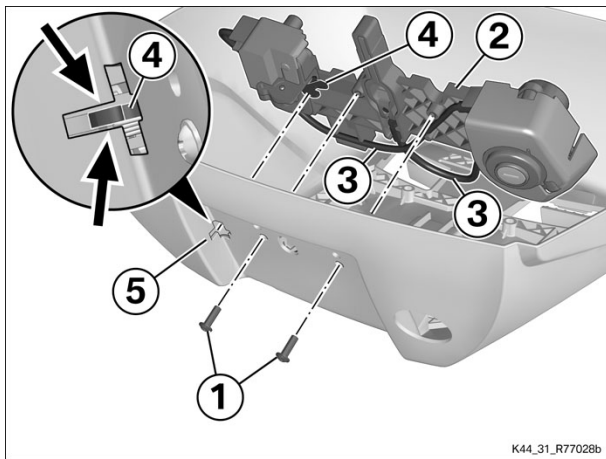


K44_31_R77030b



► **Installing lock strip**

- Hold lock strip (2) in position.
- » Cables (3) are correctly routed.
- » Latch (4) is centred in the recess (arrows) of inner shell of topcase base (5) and moves easily.
- Install screws (1).

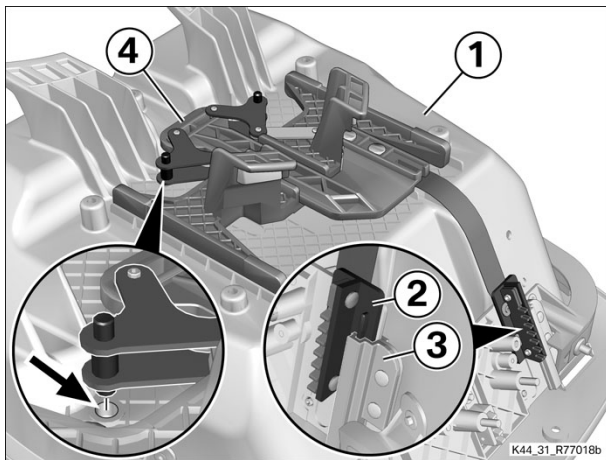


K44_31_R77028b



► **Installing latching mechanism**

- Turn inner shell of topcase base (1) upside down.
 - Introduce toothed segment (2) into top latching mechanism (3).
 - Position bottom latching mechanism (4) on inner shell of topcase base (1).
- » Bottom latching mechanism (4) is pushed fully back and projections are seated in the holes (arrow) in inner shell of topcase base (1).

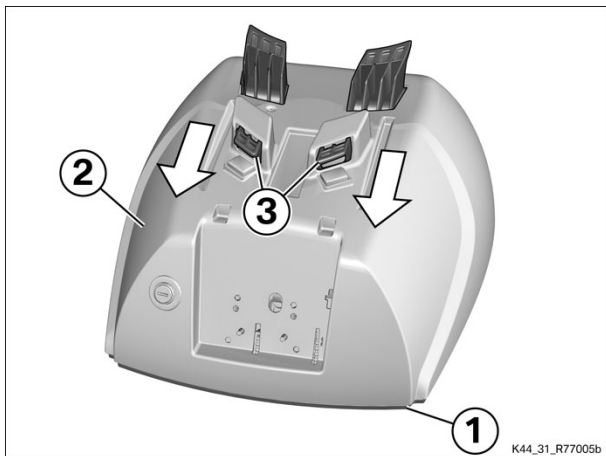


K44_31_R77018b



► **Installing inner shell of topcase**

- Place topcase base (2) on inner shell (1), working hook (3) into position.
- Apply firm pressure (arrows) to topcase base (2) to push the two components together.

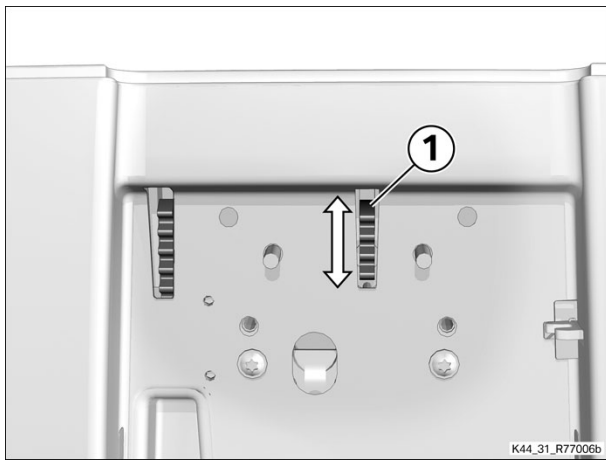


K44_31_R77005b

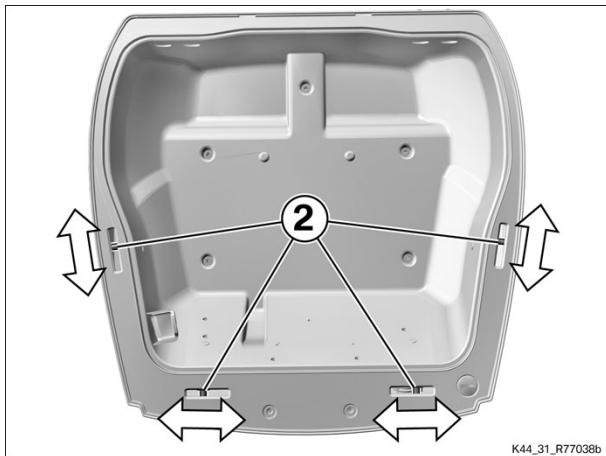


► **Checking operation of lock mechanism and latching mechanism**

- Using a suitable tool, repeatedly open and close the lock mechanism for topcase lid (1)(arrow).



- Move locks for topcase lid (2) from the "topcase lid open" position to the "closed" position and back.



Test

Result: Lock action is correct.

Measure:

- Continue to the next step in the test process.

Result: Lock action is not correct.

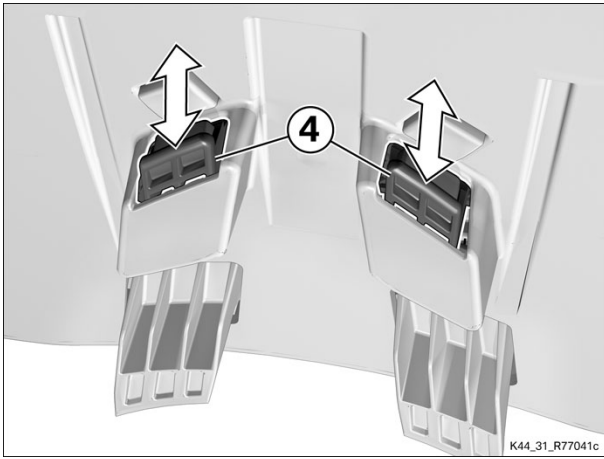
Measure:

- Disassemble the topcase again and correct the fault.
- Repeat the test.



- Using a suitable tool, repeatedly open and close the latching mechanism for topcase (3)(arrow).

- Move latches for topcase (4) from the "remove topcase" position to the "topcase latched" position and back.



Test

Result: Latch action is correct.

Measure:

- Continue to the next step in the process.

Result: Latch action is not correct.

Measure:

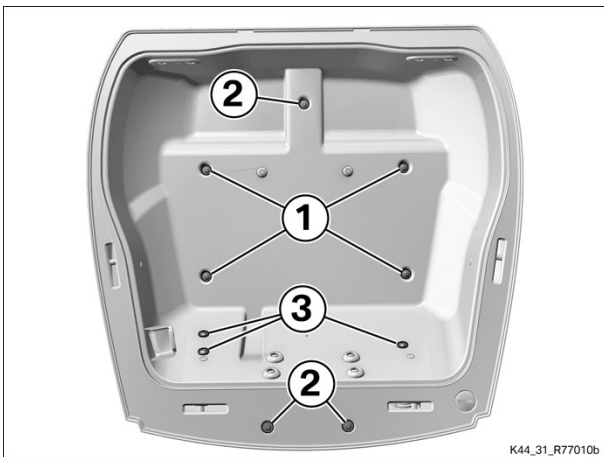
- Disassemble the topcase again and correct the fault.
- Repeat the test.



► **Securing inner shell**

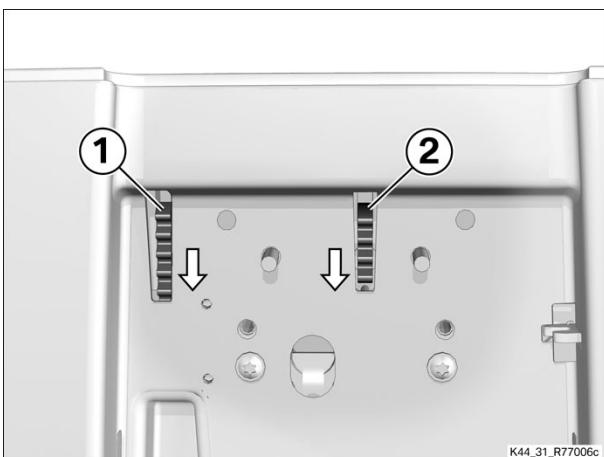
- Install the following components:

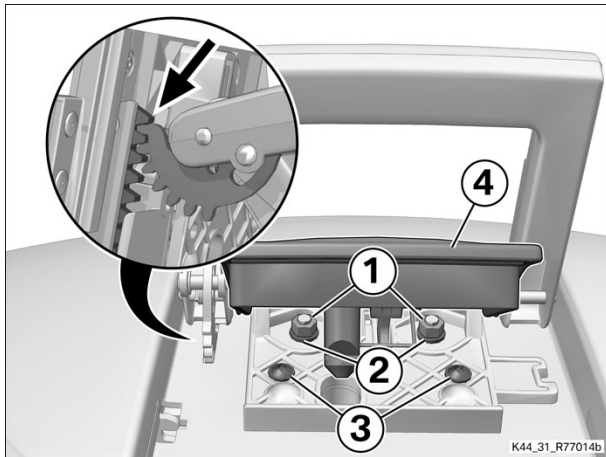
- Screws (3) with plastic washers K50 x 12
- Screws (2) K50 x 12
- Screws (1) with washers K50 x 12



► **Adjusting latching mechanism**

- Using a suitable tool, move the latching mechanism for securing topcase (1) and topcase lid (2) to the **Open** position (arrows).





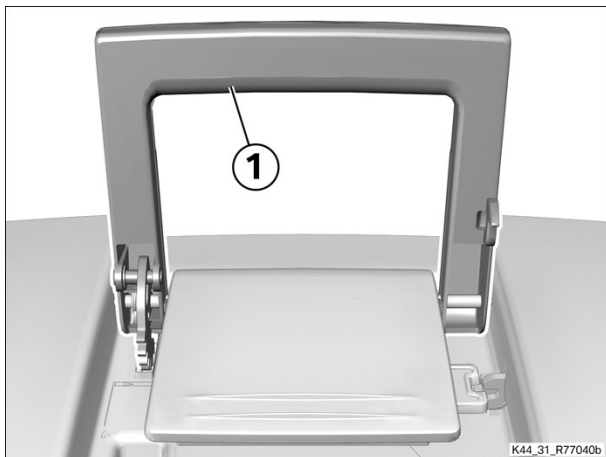
► **Installing carry handle**

- Place carry handle (4) in position, making sure that engagement is as illustrated (arrow).
- Install the following components:
 - Screws (3)
 - Washers (2)
 - Nuts (1)

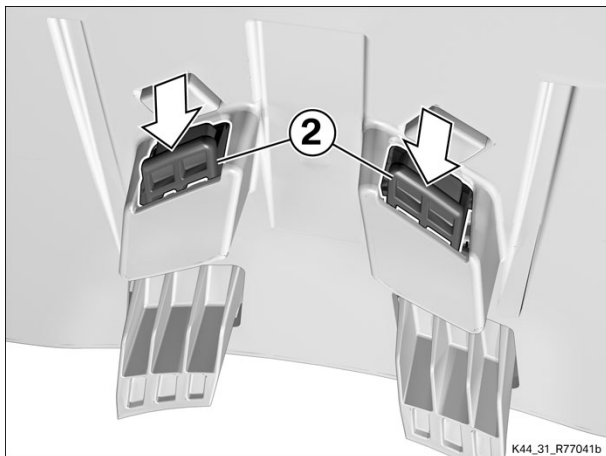


► **Final check of latching mechanism**

- Close carry handle (1).



- Try to push back latches (2) by hand.



Test

Result: Latches cannot be pushed back.

Measure:

- Continue to the next step in the process.

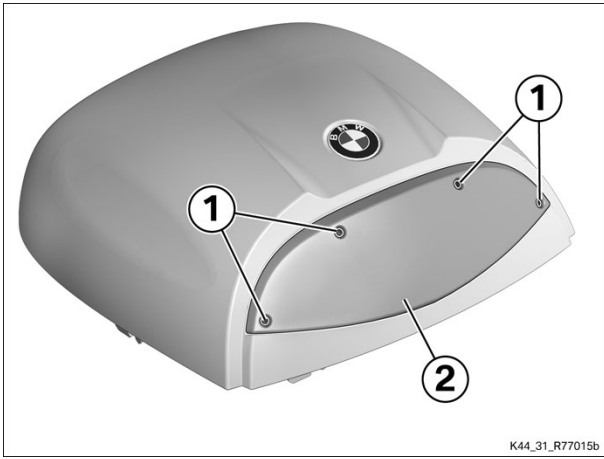
Result: Latches can be pushed back.

Measure:

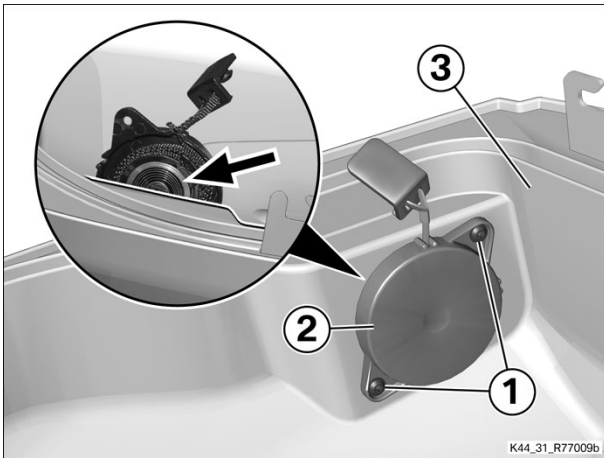
- Check the position of the carry handle.
- Repeat the test.



► **Installing cover panel of topcase lid**

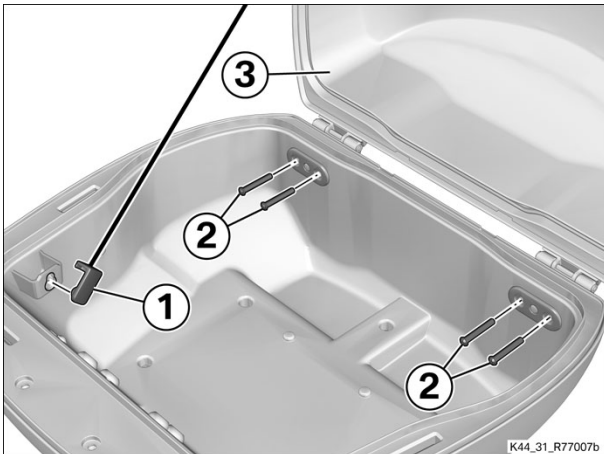


- Hold cover panel (2) in position.
- Install screws (1).



▶ **Installing retaining strap**

- Hold retaining strap (2) lightly against inner shell of topcase lid (3), guide it down and **carefully** install it.
- Install screws (1).



▶ **Install the topcase lid**

- Place topcase lid (3) in position.
- Install screws (2).
- Engage retaining strap (1).